

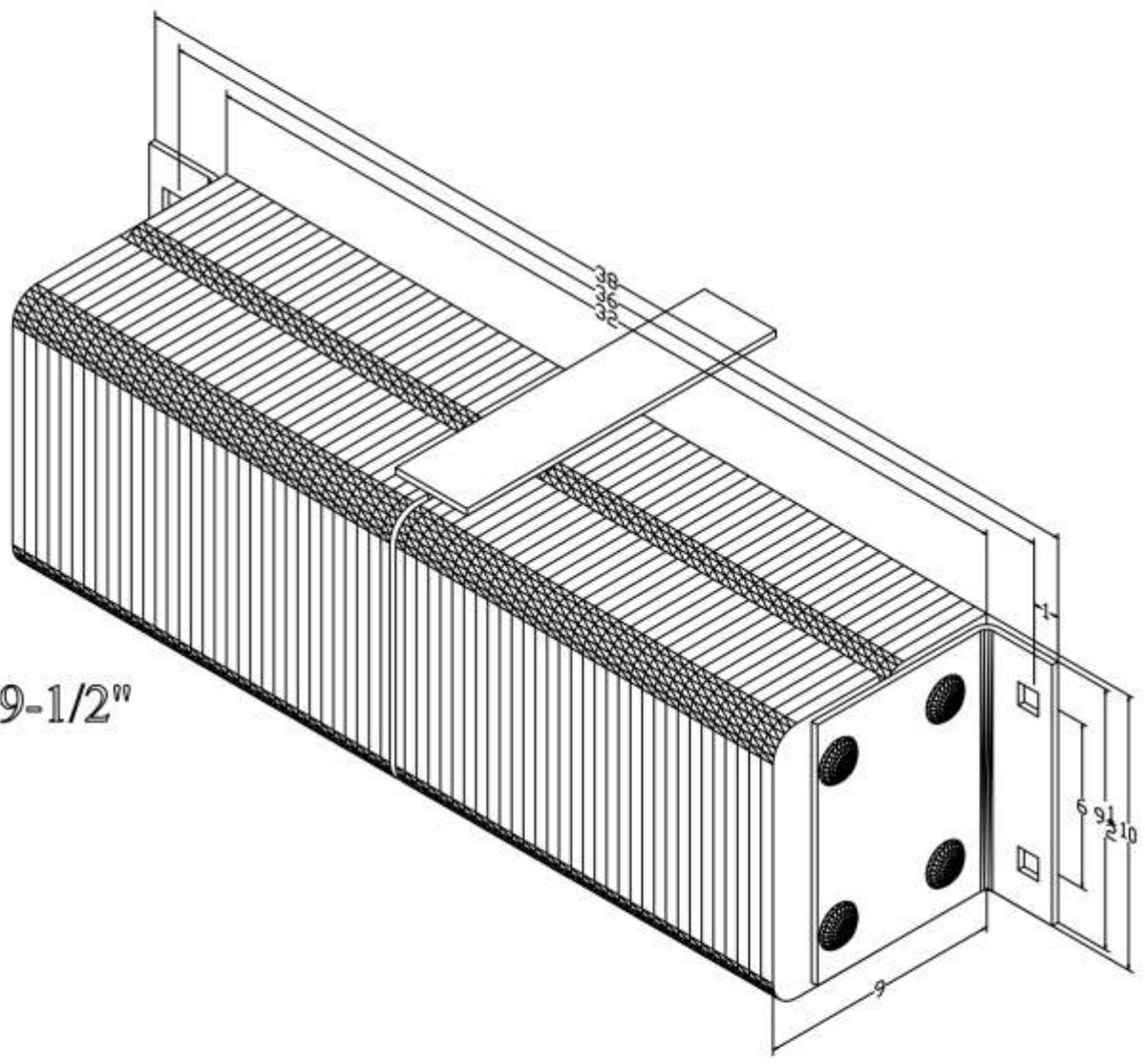
MODEL: B910-36-A3

Size

Projection 9"
Height 10"

Length:

-Overall 38"
-Anchor Holes 36"
-Rubber 32"
Plate Size (2) 1/4"x3"x7-3/8"x9-1/2"



All measurements are +/- 1/8"