

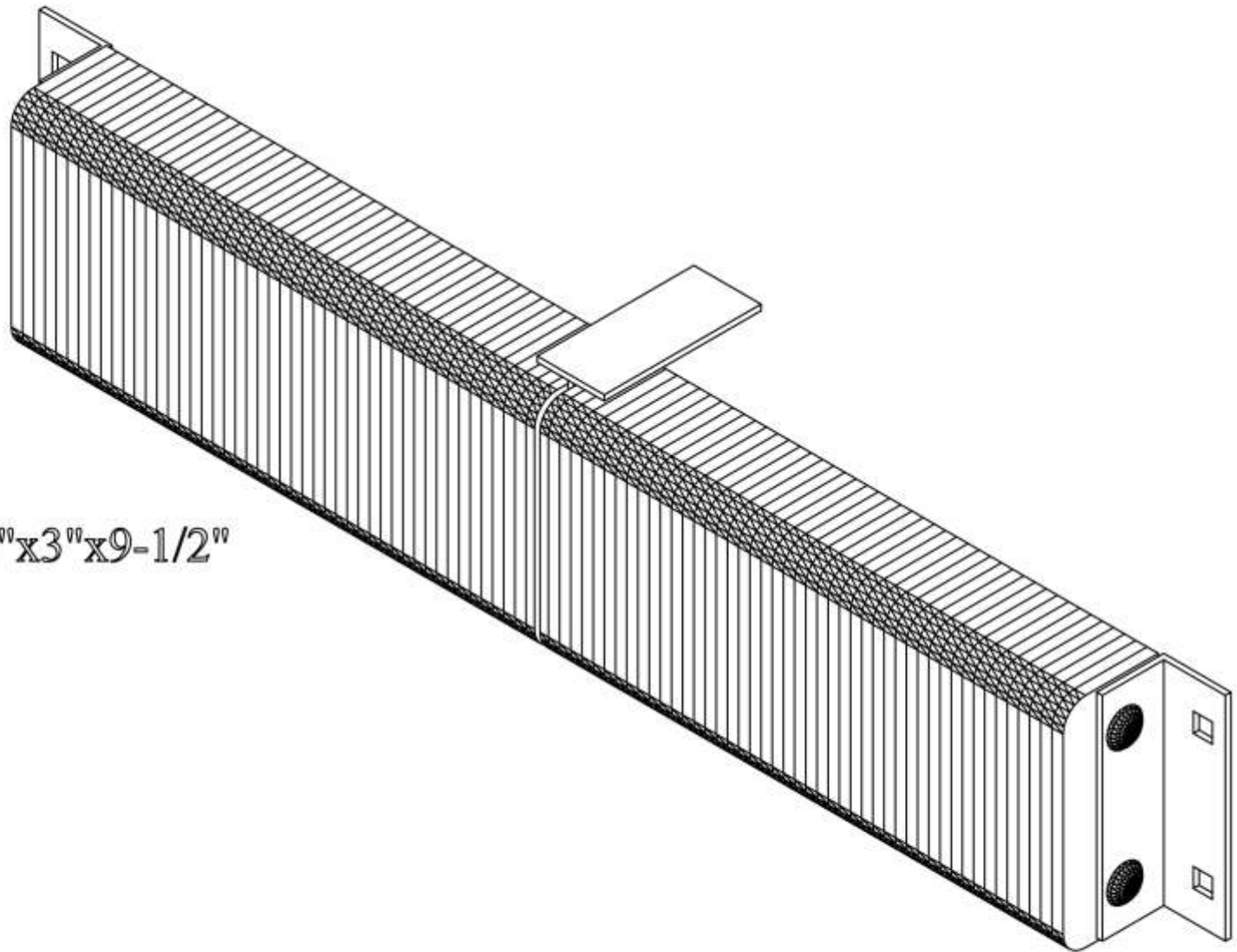
MODEL: *B4510-51-A*

Size

Projection 4-1/2"
Height 10"

Length:

-Overall 53"
-Anchor Holes 51"
-Rubber 47"
Angle Size (2) 1/4"x3"x3"x9-1/2"



All measurements are +/- 1/8"