

# FREYER



## LOADING DOCK BUMPERS

# Model: B4510-123-A3

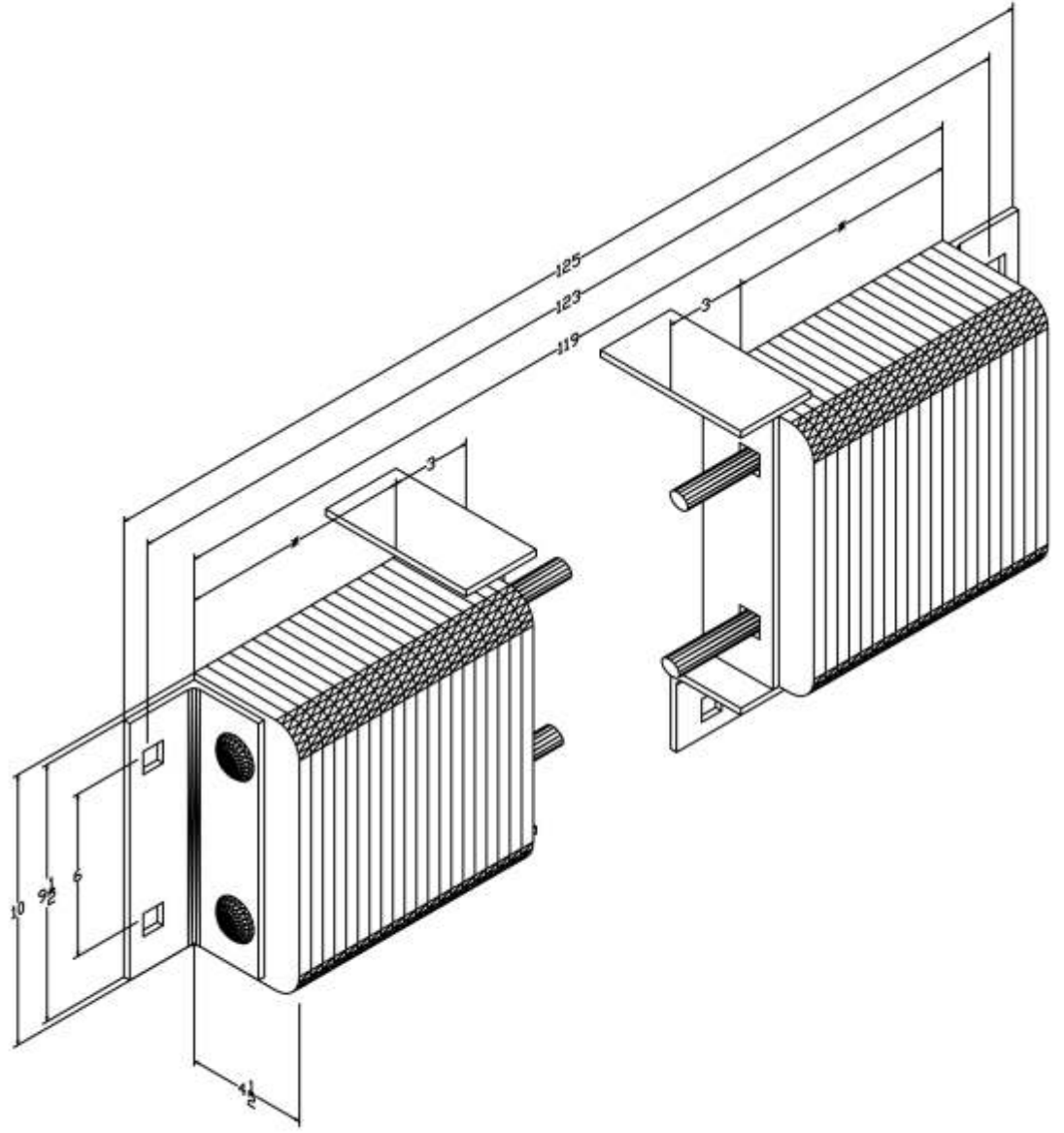
MODEL: B4510-123-A3

### Size

Projection 4-1/2"  
Height 10"

### Length:

-Overall 125"  
-Anchor Holes 123"  
-Rubber 119"  
Angle Size (2) 1/4"x3"x3"x9-1/2"



All measurements are within +/- 1/8"