

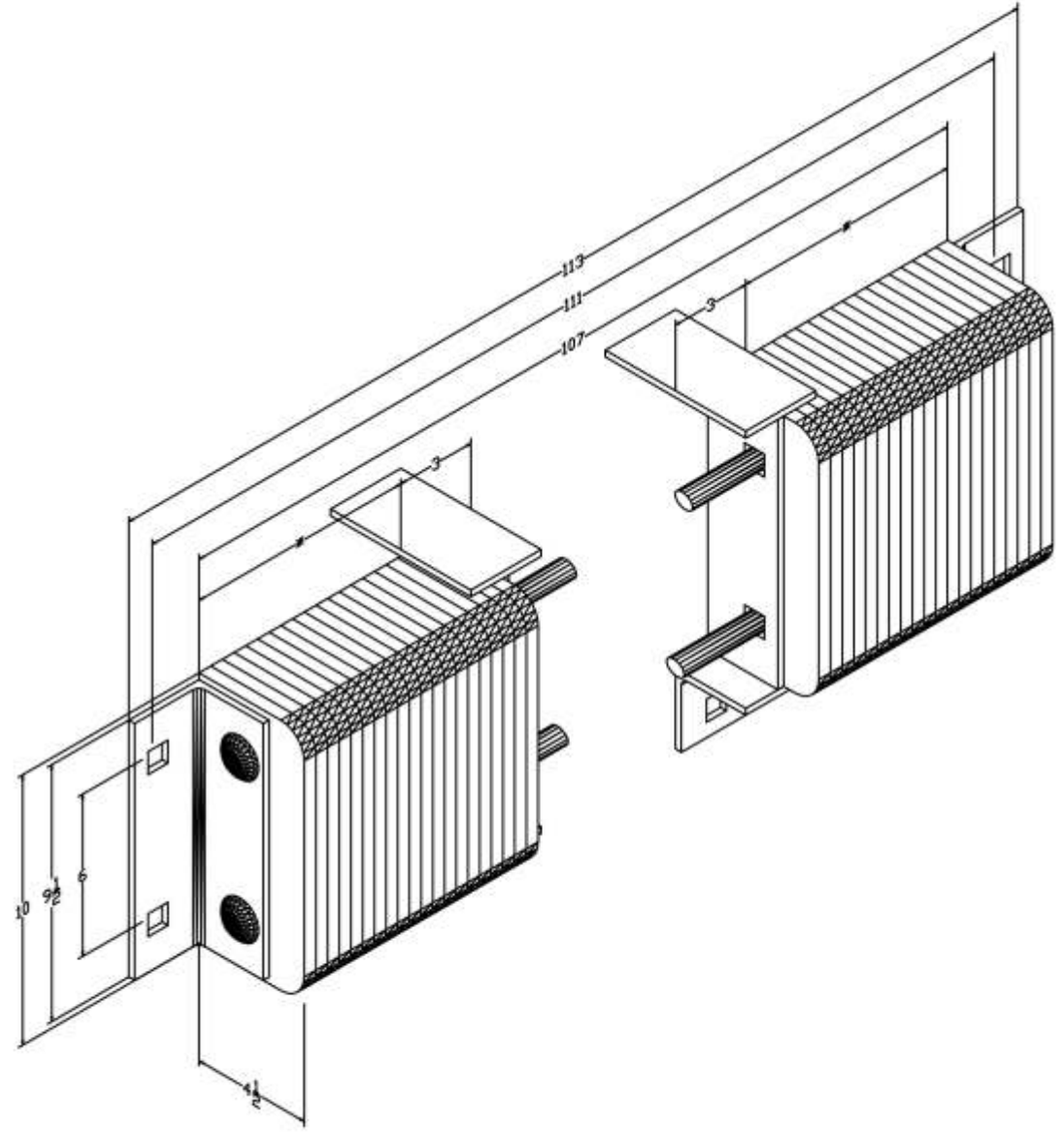
MODEL: B4510-111-A3

*Size*

Projection 4-1/2"  
Height 10"

*Length:*

-Overall 113"  
-Anchor Holes 111"  
-Rubber 107"  
Angle Size (2) 1/4"x3"x3"x9-1/2"



All measurments are within +/- 1/8"