

MODEL: B4506-99-AD\*

Size

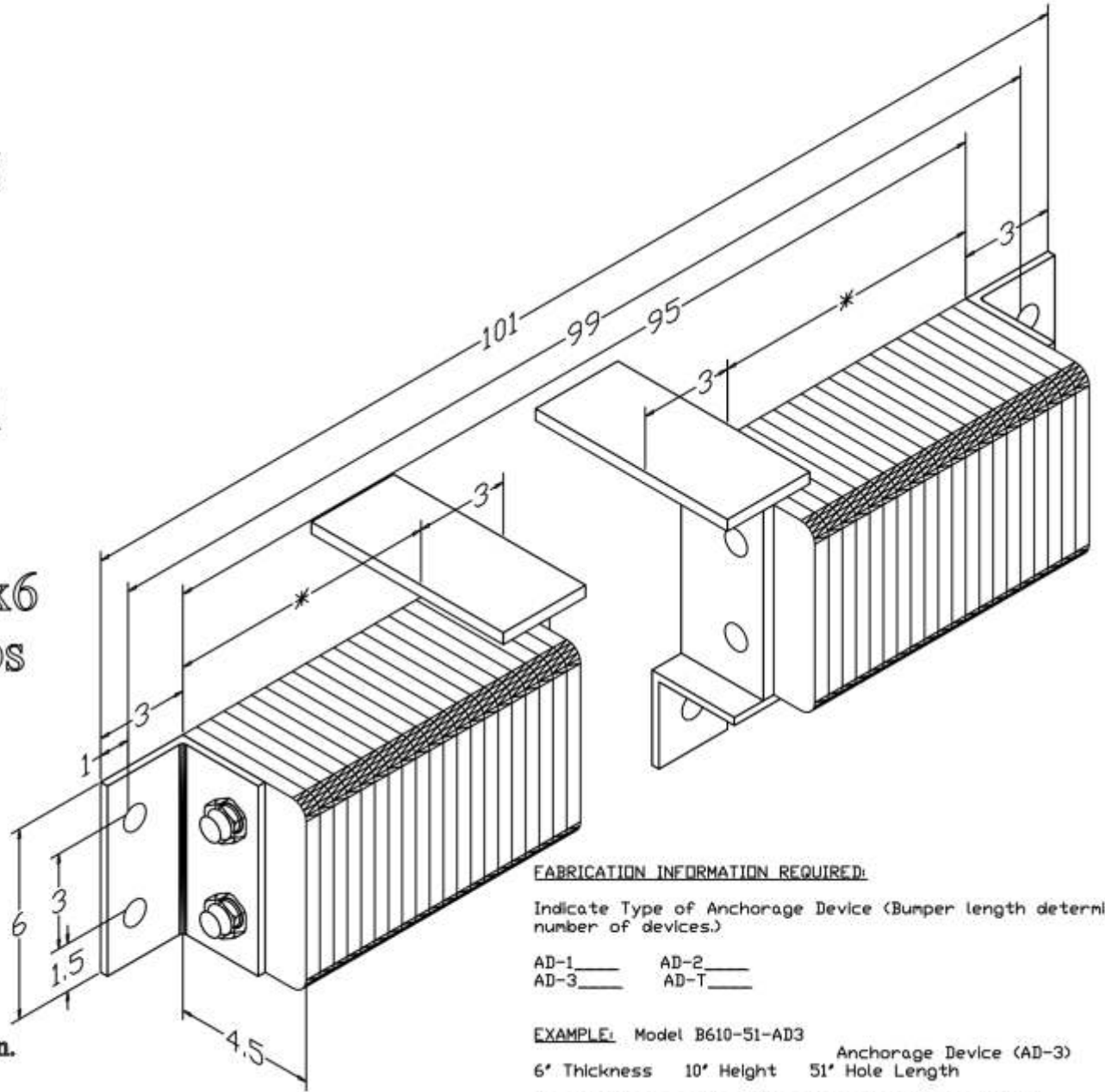
Overall Thickness 4.5  
 Height 6

Length:

-Overall 101  
 -Anchor Holes 99  
 -Rubber 95  
 Angle Size 1/4x3x3x6  
 Total Weight 123 lbs

Date: 7/20/99  
 Scale: Full

Please Note: Weights are calculated and are not actual.  
 \*- Approximately equidistant, however, exact location cannot be determined before fabrication.



**FABRICATION INFORMATION REQUIRED:**  
 Indicate Type of Anchorage Device (Bumper length determines number of devices.)  
 AD-1 \_\_\_\_\_ AD-2 \_\_\_\_\_  
 AD-3 \_\_\_\_\_ AD-T \_\_\_\_\_

**EXAMPLE:** Model B610-51-AD3  
 6" Thickness 10" Height 51" Hole Length  
 Anchorage Device (AD-3)  
 Note: If not specified bumpers come standard AD-3.