

MODEL: B1210-36

Size

Projection 12"

Height 10"

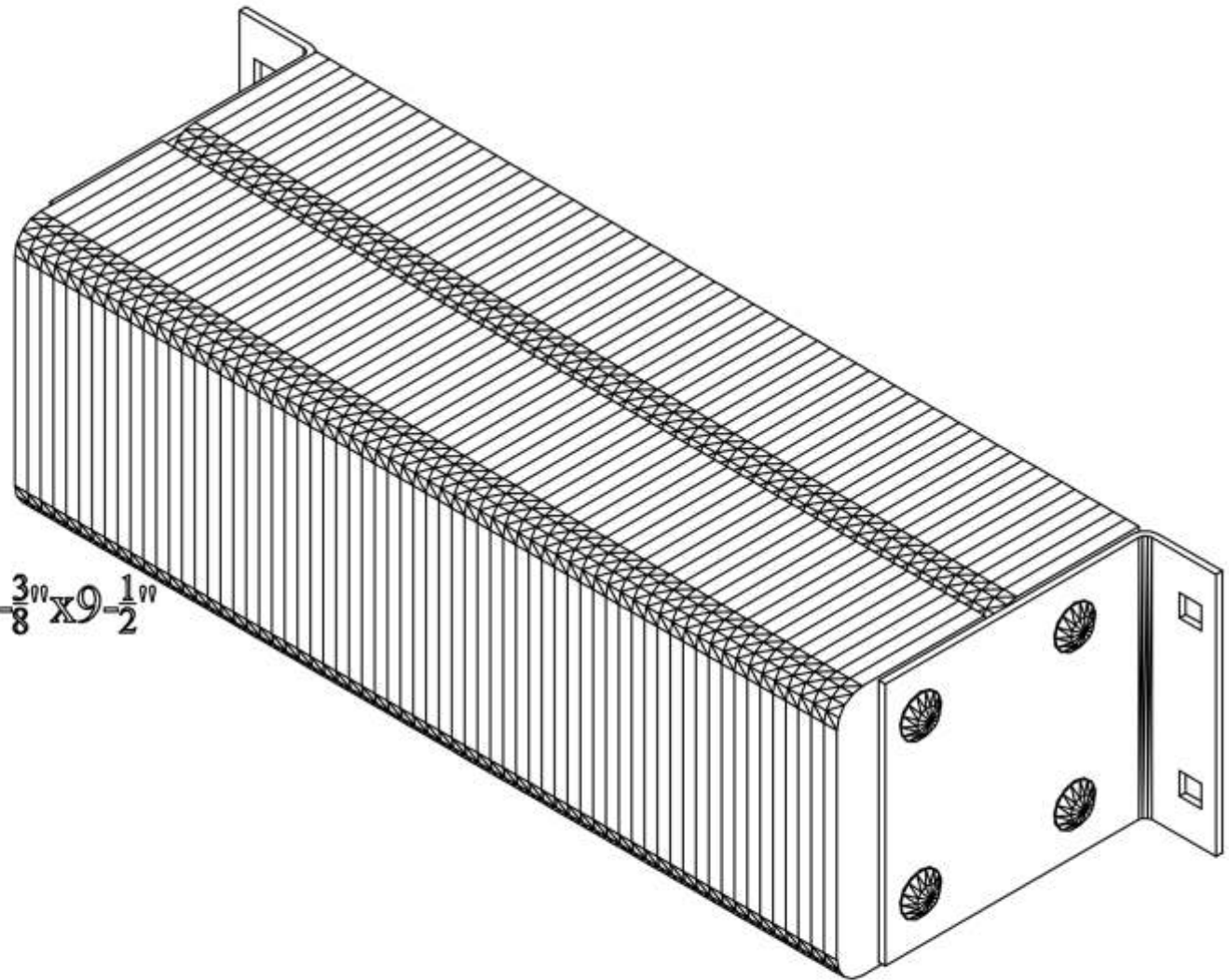
Length:

-Overall 38"

-Anchor Holes 36"

-Rubber 32"

Bent Plate Size  $\frac{1}{4}'' \times 3'' \times 10\frac{3}{8}'' \times 9\frac{1}{2}''$



All measurements are +/- 1/8"