

MODEL: TB-60 MOLDED TRAILER AND CRANE BUMPER

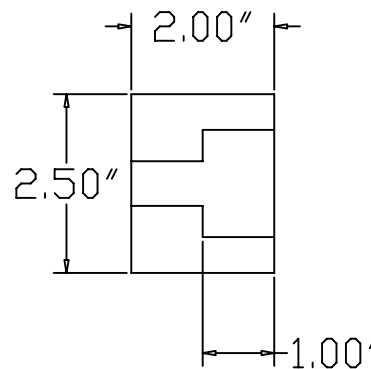
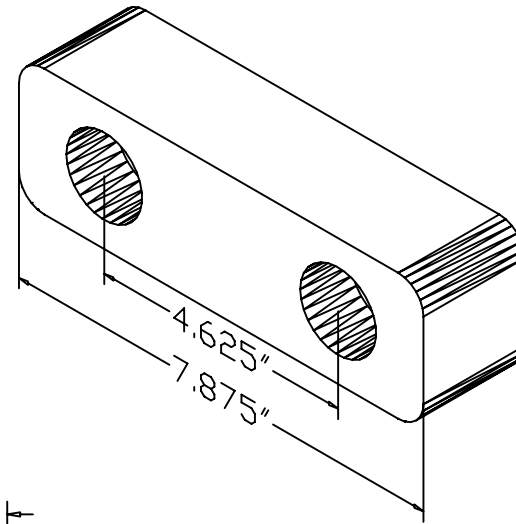
Size

Overall Length	7-7/8"
Overall Thickness	2"
- Height	2-1/2"
- Anchor Holes	4-5/8"
Total weight	1-1/4 lbs

Date: 01/05/04
Scale: Full

Please Note: Weights are calculated and are not actual and overall tolerance may vary + or - 1/4".

SALES@FREYERLLC.COM



TB-60 is molded from a nylon & polyester fibre reinforced rubber of 80 (+ or -) 5 durometer, and has an average impact resistance of 95% under ASTM 1170