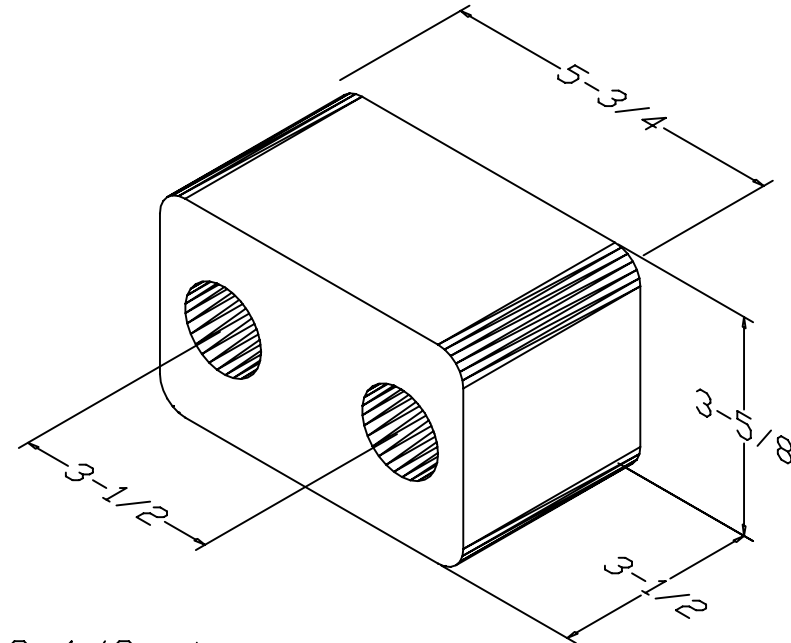


# MODEL: TB-20

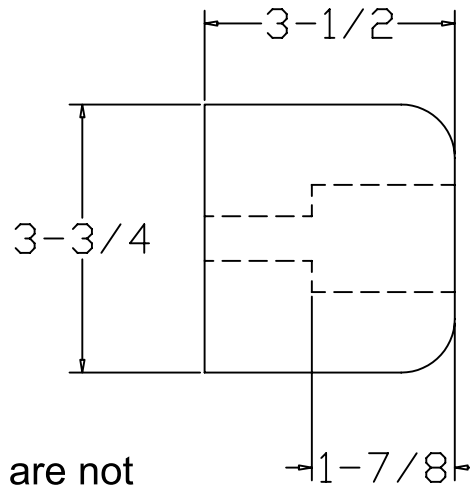
## MODEL: TB-20 MOLDED TRAILER AND CRANE BUMPER

### Size

Overall Length	5-3/4
Overall Thickness	3-1/2
- Height	3-5/8
- Anchor Holes	3-1/2
Total weight	3,25 lbs



Date: 08/06/99  
Scale: Full



TB-20 is molded from a nylon & polyester fibre reinforced rubber of 80 (+ or -) 5 durometer, and has an average impact resistance of 95% under ASTM 1170

Please Note: Weights are calculated and are not actual and overall tolerance may vary + or - 1/4".

**SALES@FREYERLLC.COM**