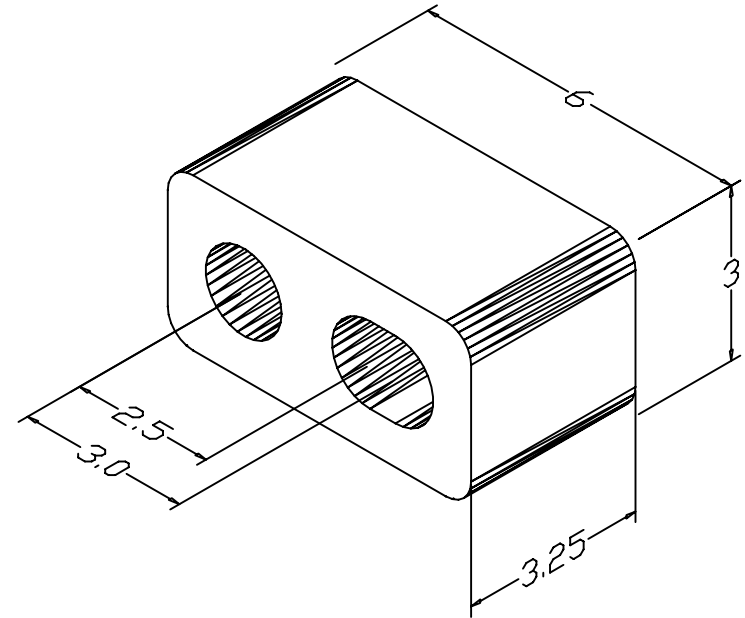


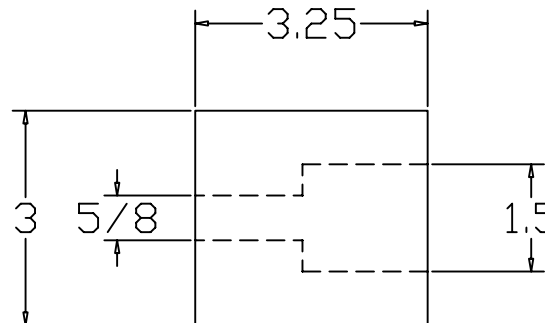
MODEL: TB-20 MOLDED TRAILER AND CRANE BUMPER

Size

Overall Length	6
Overall Thickness	3-1/4
- Height	3
- Anchor Holes	2-1/4 to 3-1/4
Total weight	1,25 lbs



Date: 08/06/99
Scale: Full



TB-10 is molded from a nylon & polyester fibre reinforced rubber of 80 (+ or -) 5 durometer, and has an average impact resistance of 95% under ASTM 1170

Please Note: Weights are calculated and are not actual and overall tolerance may vary + or - 1/4".

SALES@FREYERLLC.COM