

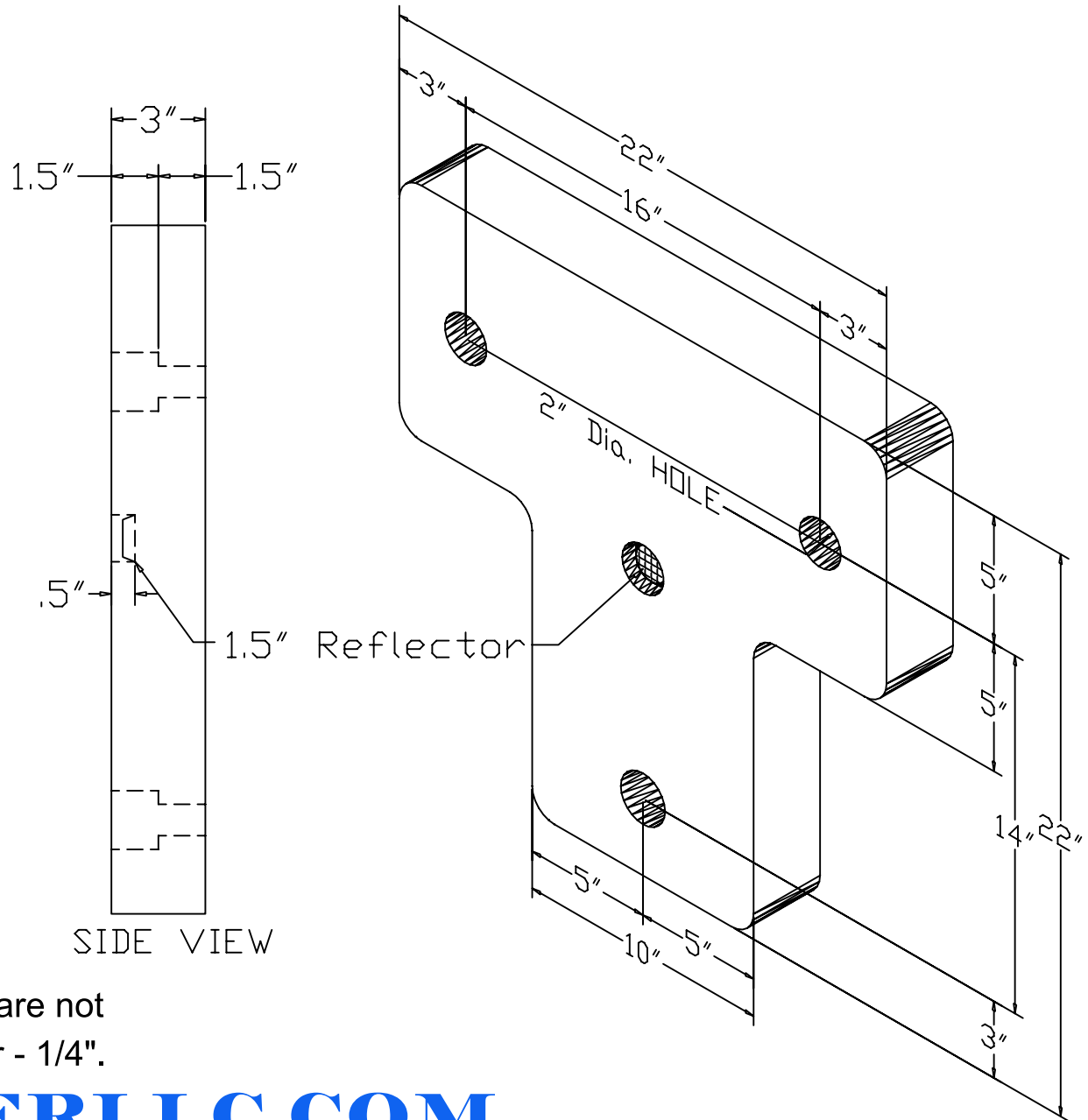
MODEL: T

MODEL: T MOLDED BUMPER

Size

Overall Length	22
Overall Thickness	3
- Height	22
- Anchor Holes	16x14
Total weight	30 lbs

Date: 08/04/99
Scale: Full



Please Note: Weights are calculated and are not actual and overall tolerance may vary + or - 1/4".

SALES@FREYERLLC.COM