



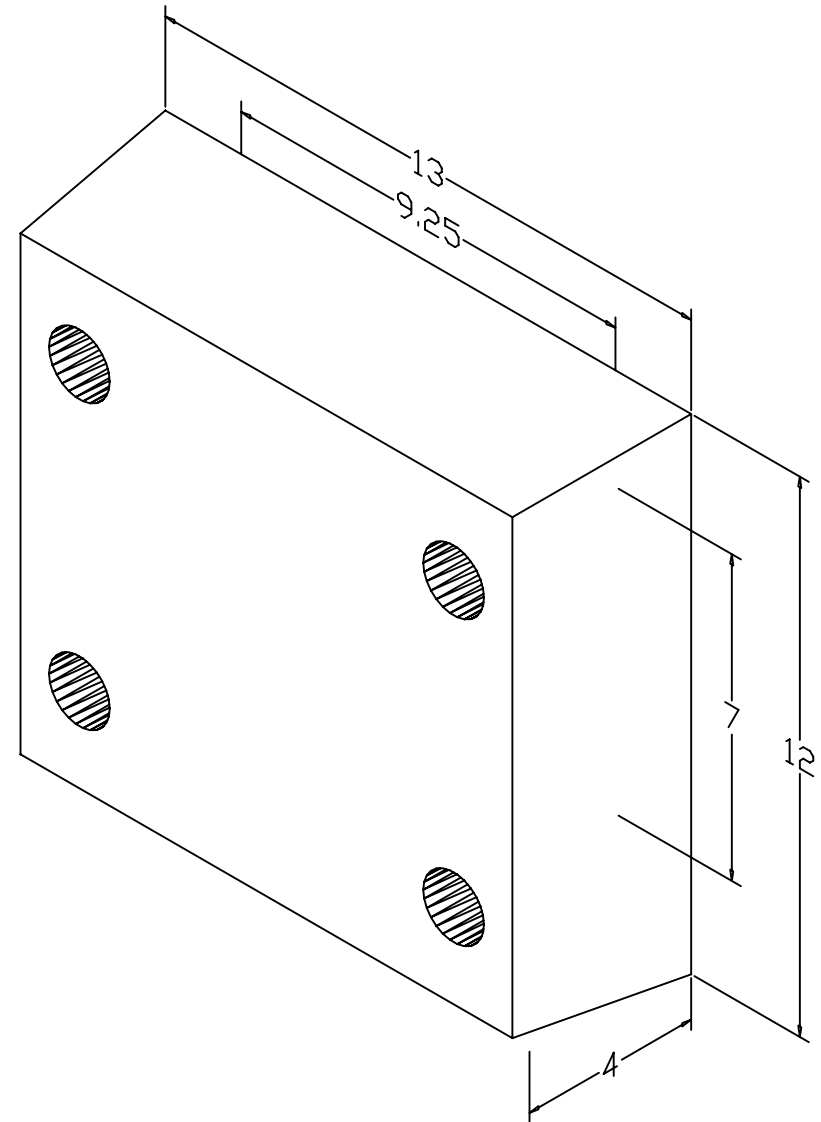
# MODEL: R

## MODEL: R MOLDED BUMPER

### Size

Overall Length	13
Overall Thickness	4
- Height	12
- Anchor Holes	9-1/4x7
Total weight	20 lbs

Date: 08/04/99  
Scale: Full



Please Note: Weights are calculated and are not actual and overall tolerance may vary + or - 1/4".

**SALES@FREYERLLC.COM**