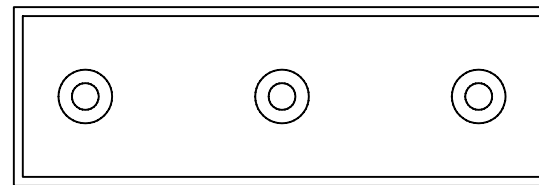
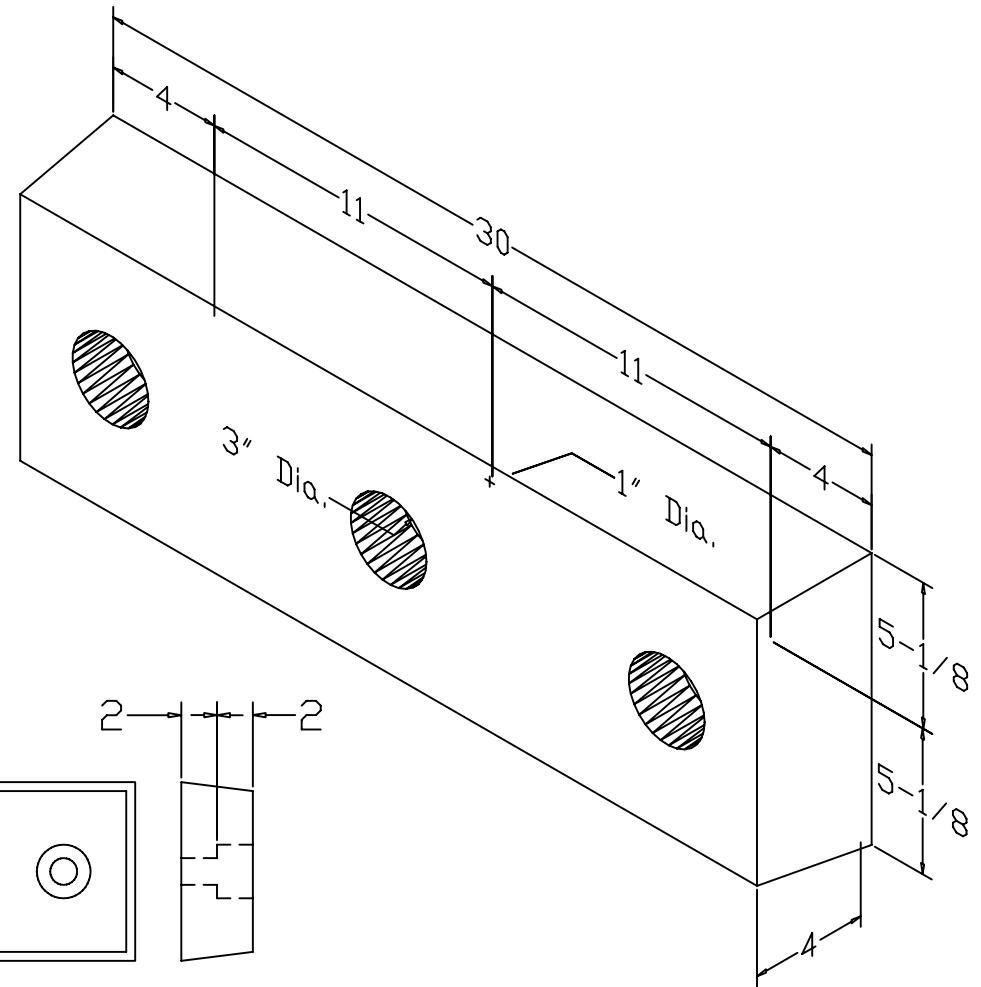


MODEL: M-30 MOLDED BUMPER

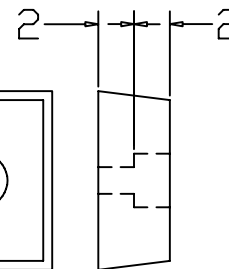
Size

Overall Length	30
Overall Thickness	4
- Height	10-1/4
- Anchor Holes	11
Total weight	38 lbs

Date: 08/04/99
Scale: Full



FRONT VIEW



SIDE VIEW

Please Note: Weights are calculated and are not actual and overall tolerance may vary + or - 1/4".

SALES@FREYERLLC.COM