

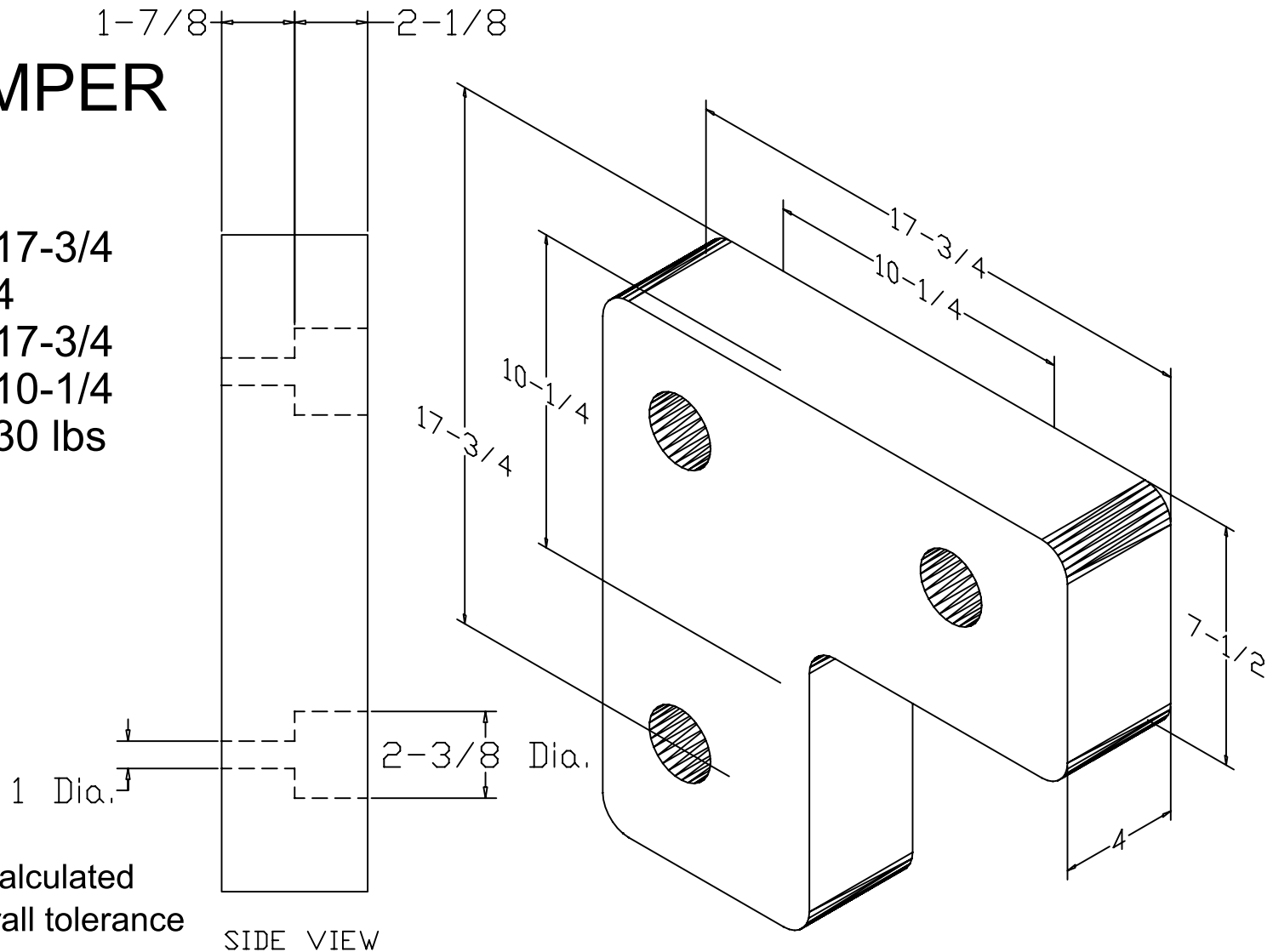
MODEL: L

MODEL: L MOLDED BUMPER

Size

Overall Length	17-3/4
Overall Thickness	4
- Height	17-3/4
- Anchor Holes	10-1/4
Total weight	30 lbs

Date: 08/04/99
Scale: Full



Please Note: Weights are calculated and are not actual and overall tolerance may vary + or - 1/4".