

MODEL: B612-18-SF

Size

Projection

6-5/8"

Height

12"

Length

- Overall

20"

- Anchor Holes

18"

- Rubber

14"

Angle Size (2)

1/4"x3"x4"x11-1/2"

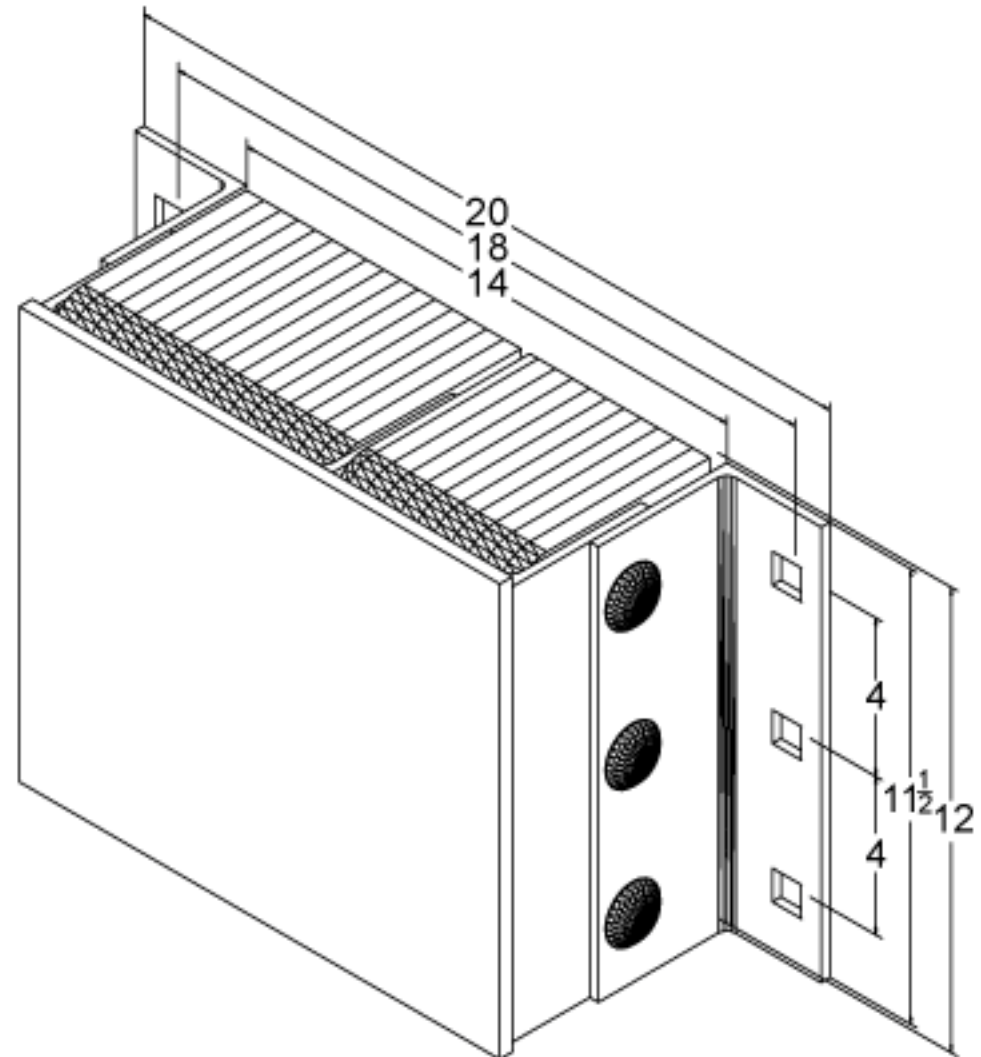
Slot Angle Size

1/4"x3"x4"x11-1/2"

Face Plate Size (1)

3/8"x12"x14"

Date: 04/07/09



All Measurements are within +/- 1/8"