



Model: B612-99-A3

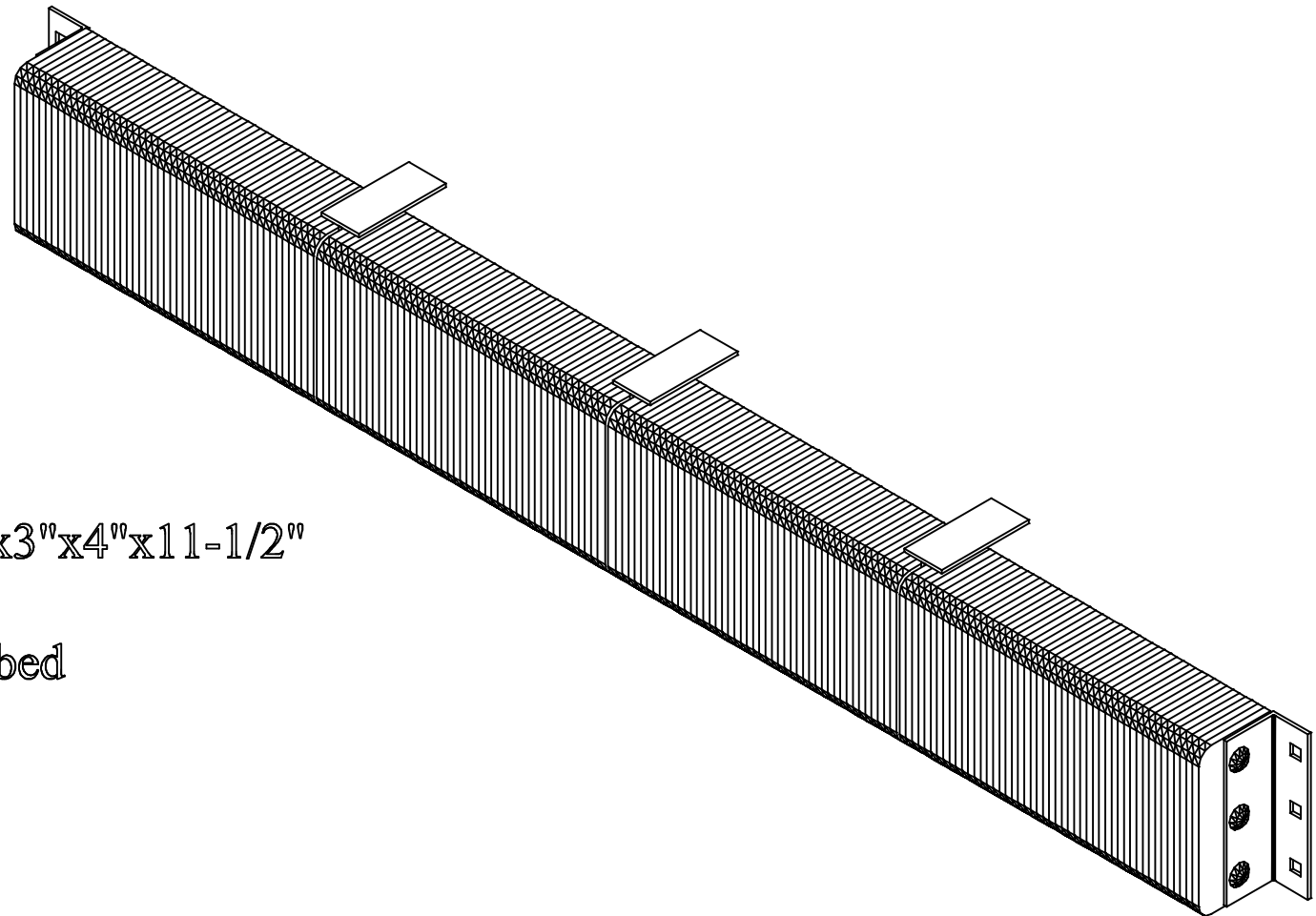
MODEL: *B612-99-A3*

Size

Projection 6"
Height 12"

Length:

-Overall 101"
-Anchor Holes 99"
-Rubber 95"
Angle Size 1/4"x3"x4"x11-1/2"



Bolt Heads Are Inscribed
"DURABLE CORP"

Date: 11/02/15

All measurements are +/- 1/8"

Confidential -- Property of Durable Corporation