



Model: B612-123-A3G

MODEL: B612-123-A3G
(Galvanized)

Size

Projection 6"
Height 12"

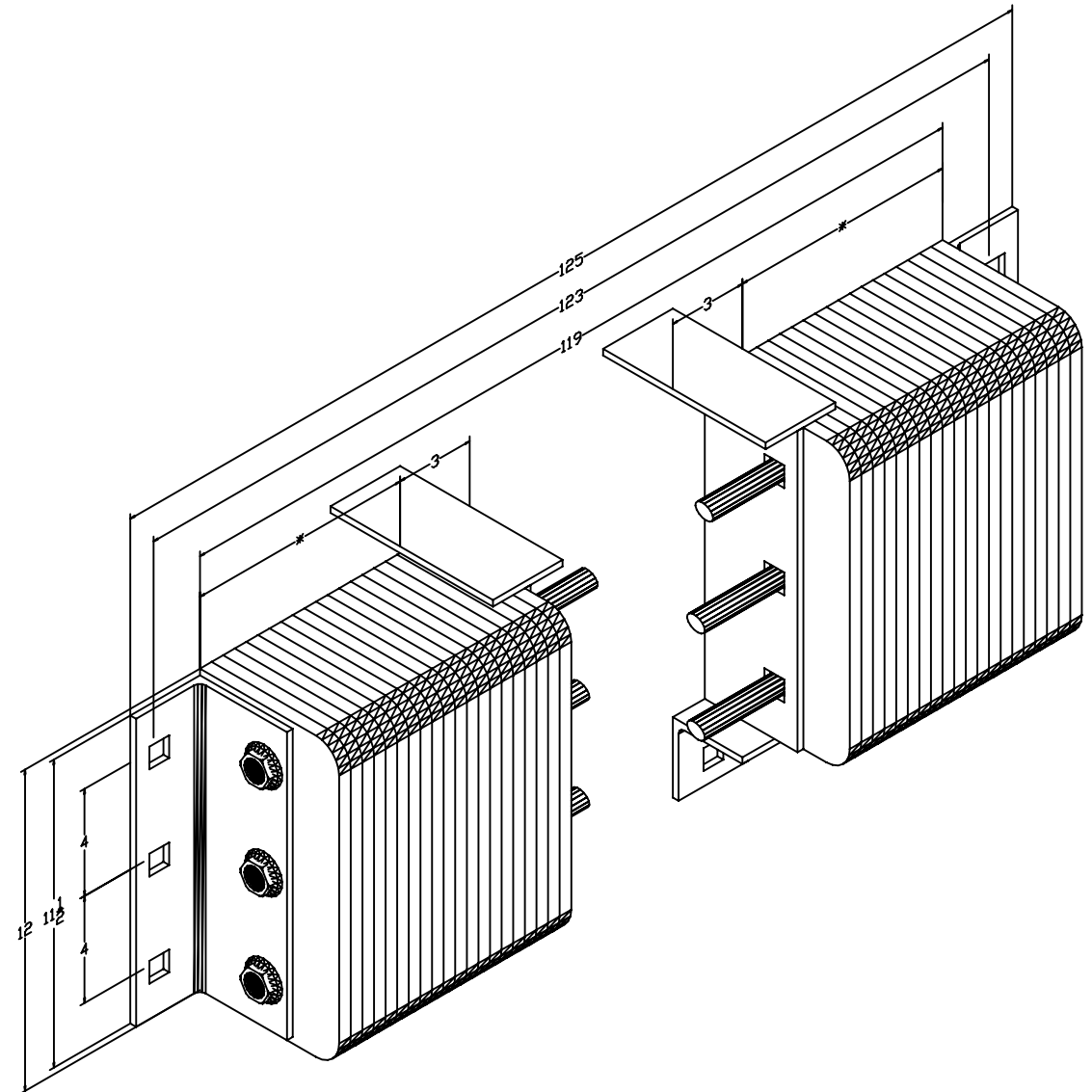
Length:

-Overall 125"
-Anchor Holes 123"
-Rubber 119"
Angle Size (2) 1/4"x3"x4"x11-1/2"

Bolt Heads Are Inscribed
"DURABLE CORP"

Date: 07/19/07

All measurements are within +/- 1/8"



Confidential -- Property of Durable Corporation