



Model: B5512-18-DS

MODEL: B5512-18-DS

Size

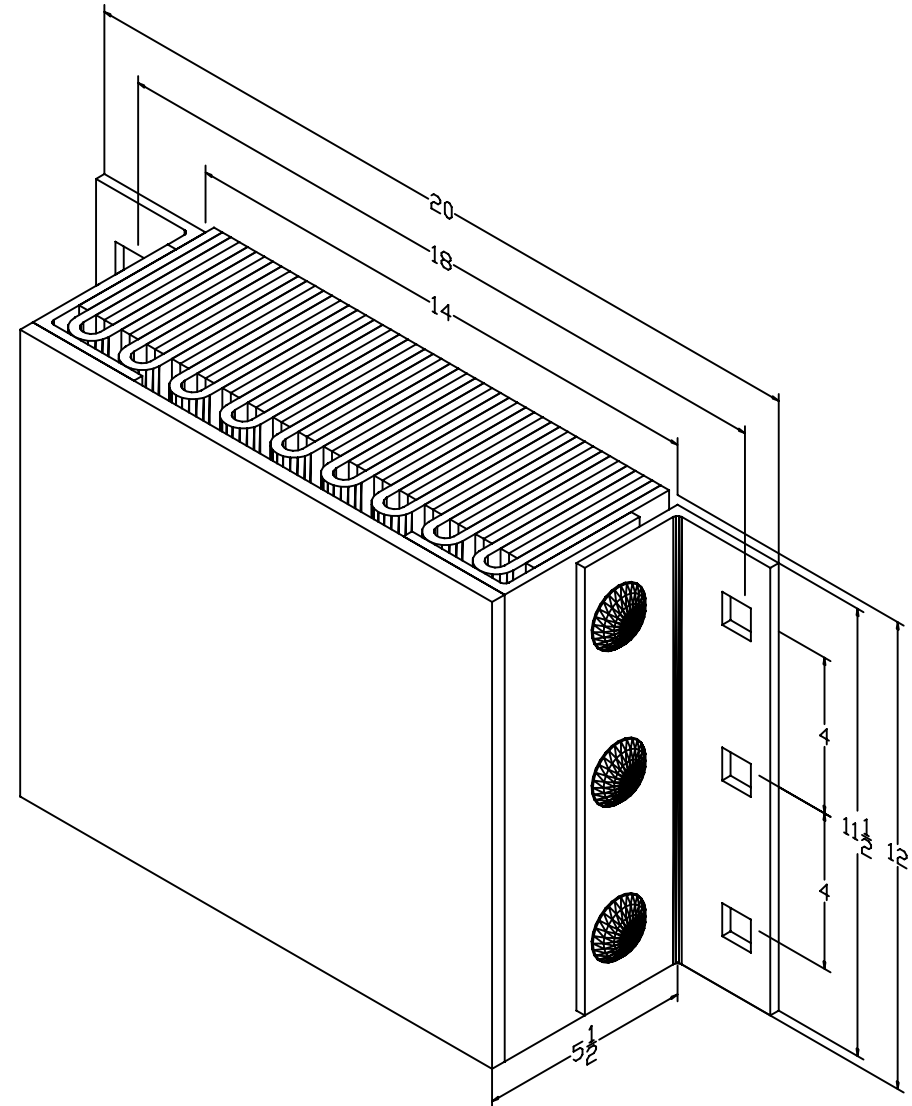
Projection 5-1/2"
Height 12"

Length

-Overall 20"
-Anchor Holes 18"
-Rubber 14"
Angle Size(2) 1/4"x3"x3"x11-1/2"
Slot Angle Size 1/4"x3"x4"x12"
Face Plate Size (1) 3/8"x12"x14"

Date: 06/06/07

All measurements are within +/- 1/8"



Confidential -- Property of Durable Corporation