



# MODEL: B4512-36SFP1

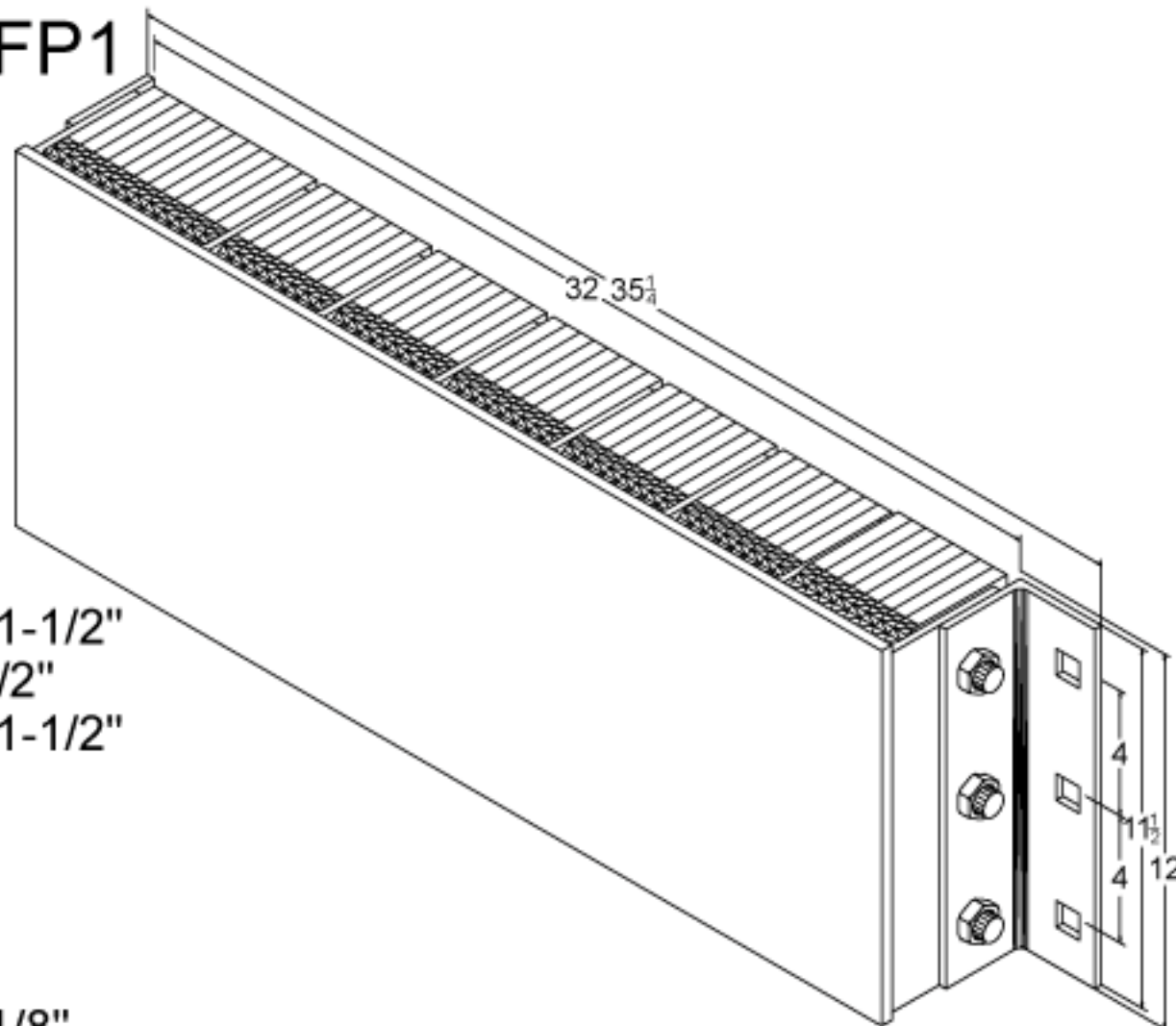
## MODEL: B4512-36-SFP1

Size  
Projection 5-1/8"  
Height 12"

Length  
- Overall 35-1/4"  
- Rubber 32"  
Angle Size (1) 1/4"x3"x3"x11-1/2"  
Plate Size (1) 1/4"x3"x11-1/2"  
Slot Angle Size 1/4"x3"x4"x11-1/2"  
Face Plate Size (1) 3/8"x12"x32"

Date: 04/08/09

All Measurements are within +/- 1/8"



**SALES@FREYERLLC.COM**