



# MODEL: B4512-36

## MODEL: B4512-36

Size

Projection 4-1/2"

Height 12"

Length

- Overall 38"

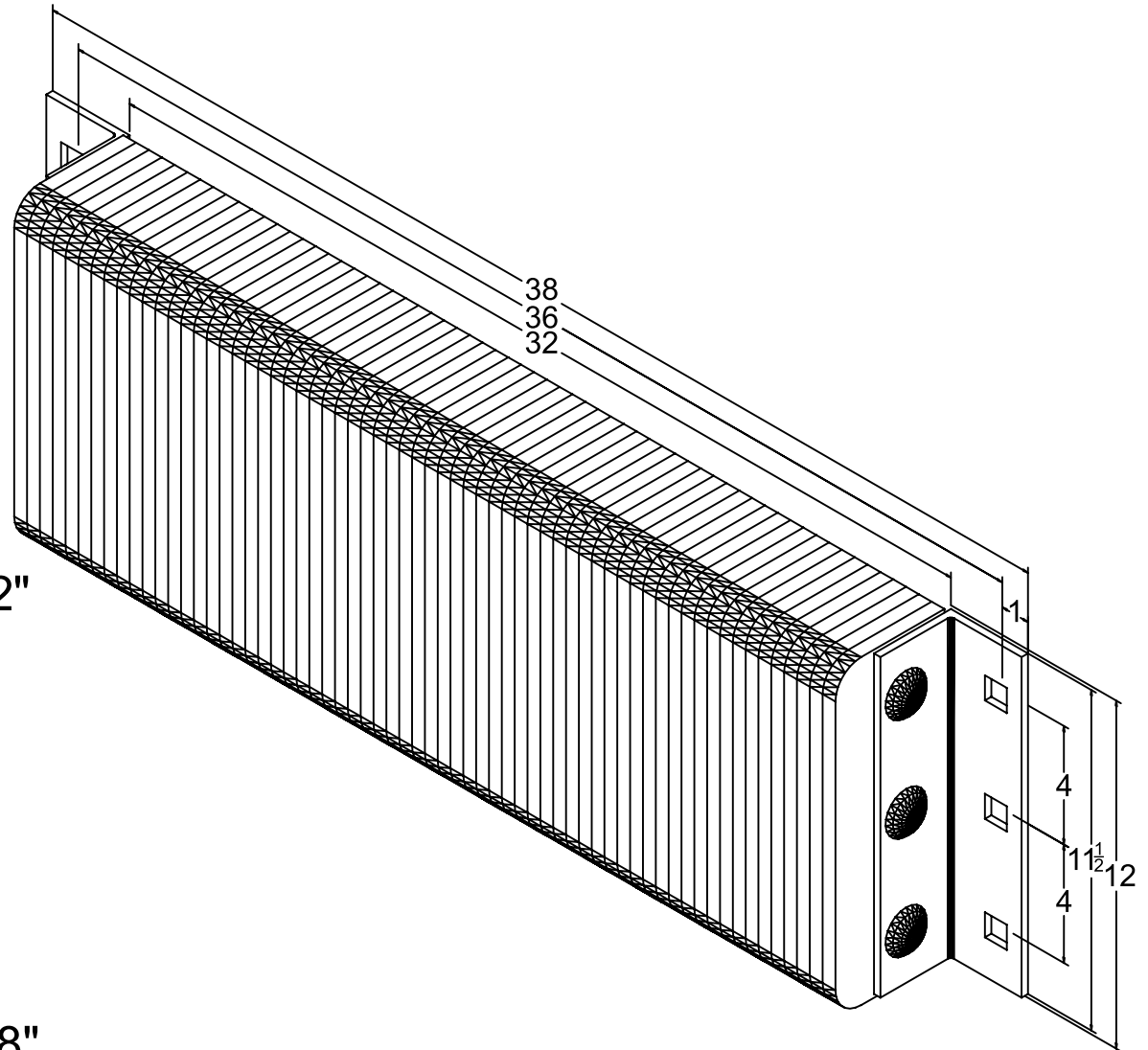
- Anchor Holes 36"

- Rubber 32"

Angle Size (2) 1/4"x3"x3"x11-1/2"

Date: 04/06/09

All Measurements are within +/- 1/8"



[SALES@FREYERLLC.COM](mailto:SALES@FREYERLLC.COM)