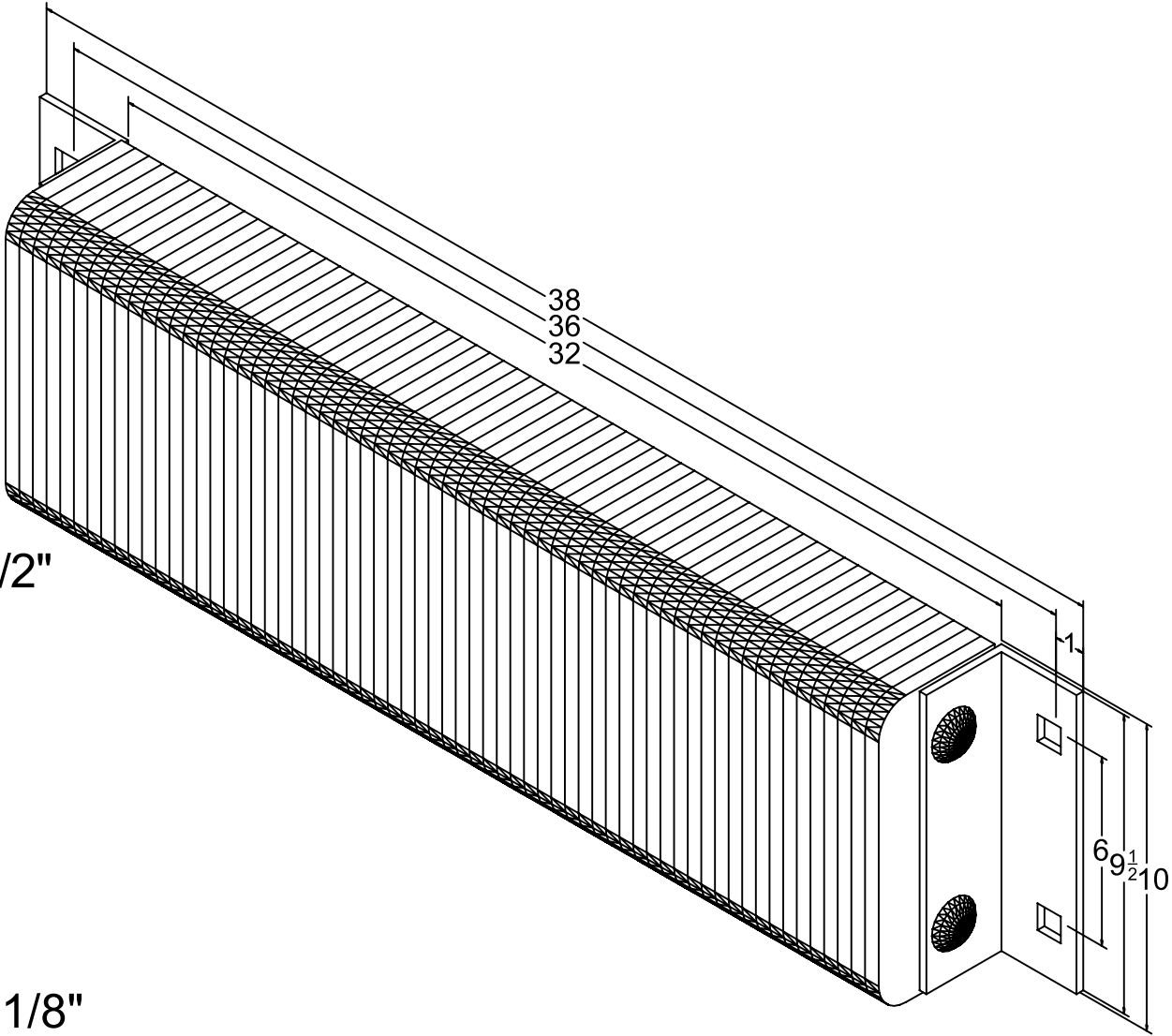




# MODEL: B4510-36

## MODEL: B4510-36

- Size
- Projection 4-1/2"
- Height 10"
  
- Length
- Overall 38"
- Anchor Holes 36"
- Rubber 32"
- Angle Size (2) 1/4"x3"x3"x9-1/2"



Date: 04/06/09

All Measurements are within +/- 1/8"

**SALES@FREYERLLC.COM**