



MODEL: B4510-18-SF

MODEL: B4510-18-SF

Size

Projection

5-1/8"

Height

10"

Length

- Overall

20"

- Anchor Holes

18"

- Rubber

14"

Angle Size (2)

1/4"x3"x3"x9-1/2"

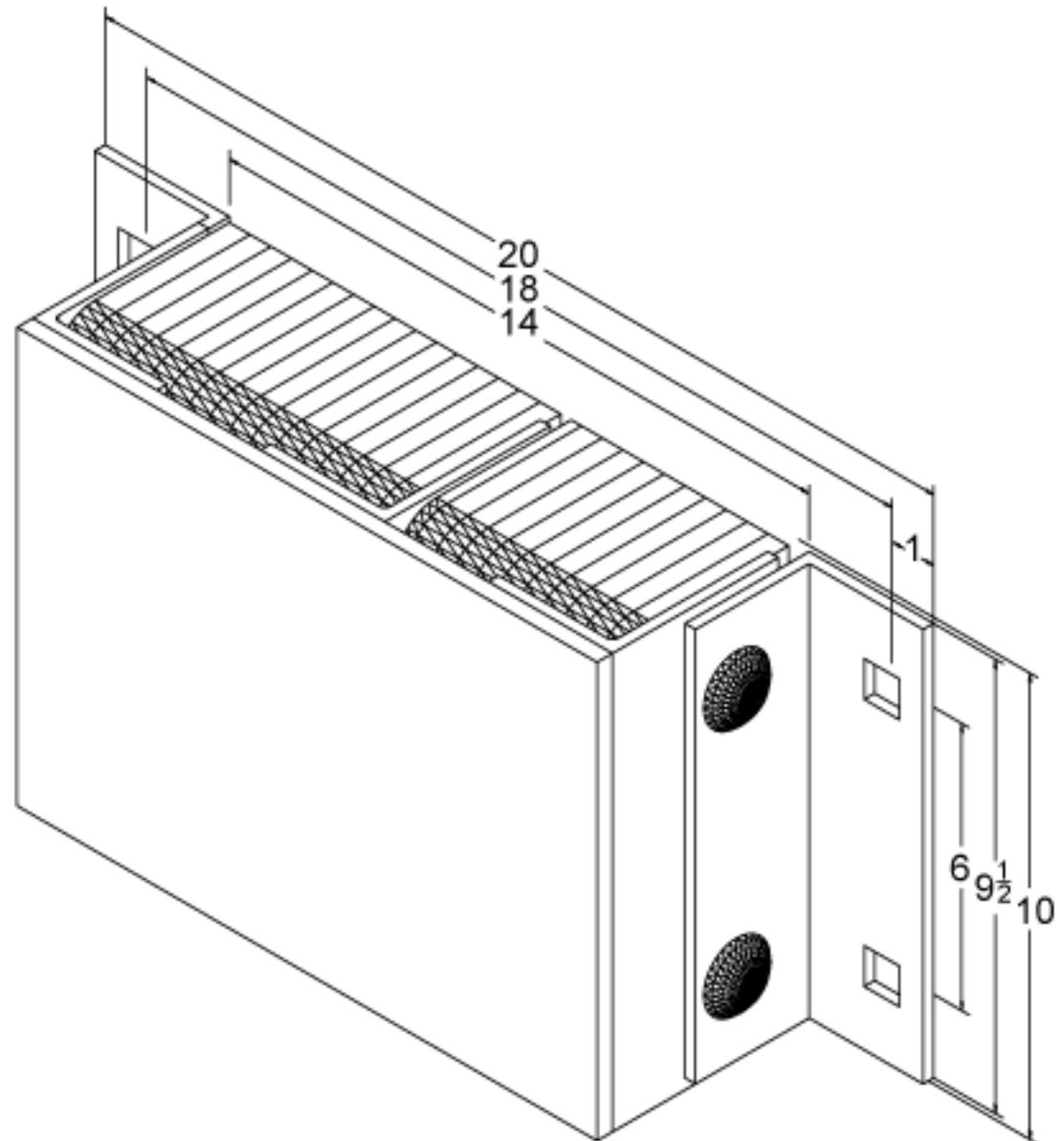
Slot Angle Size

1/4"x3"x4"x9-1/2"

Face Plate Size (1)

3/8"x10"x14"

Date: 04/07/09



All Measurements are within +/- 1/8"

SALES@FREYERLLC.COM