

# FREYER

Durable Brand Loading Dock Bumpers

# MODEL: DB-13

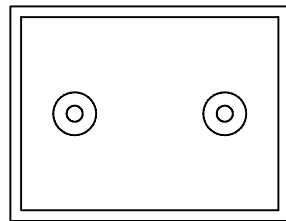
## MODEL: DB-13 MOLDED BUMPER

### Size

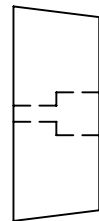
Overall Length	13"
Overall Thickness	4"
- Height	10"
- Anchor Holes	7"
Total weight	17 lbs

Date: 08/03/99

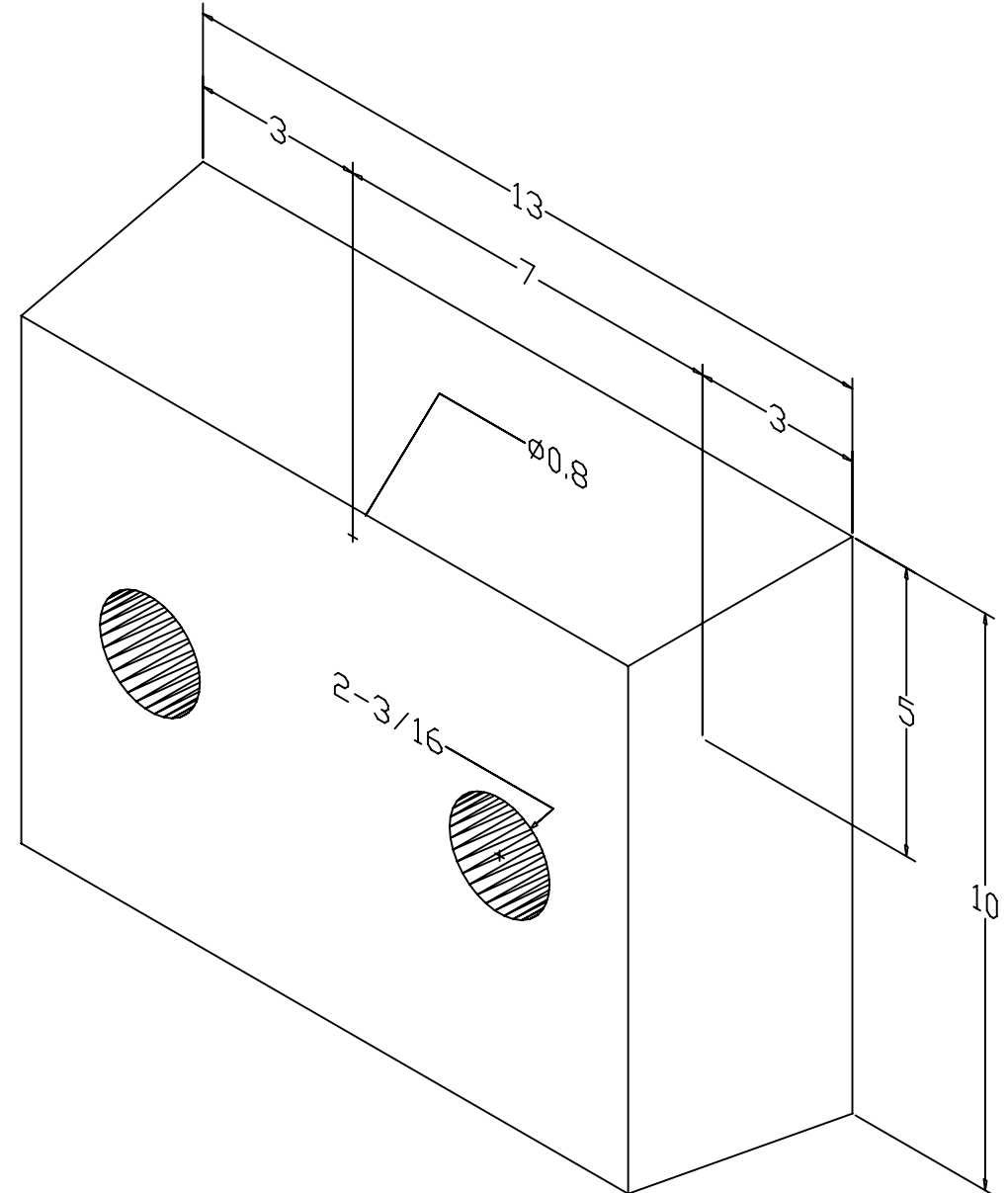
Scale: Full



FRONT VIEW



SIDE VIEW



Please Note: Weights are calculated and are not actual and overall tolerance may vary + or - 1/4".

[SALES@FREYERLLC.COM](mailto:SALES@FREYERLLC.COM)

Durable Corp.